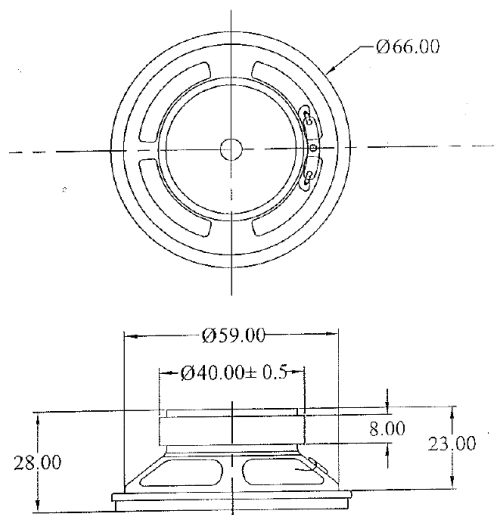


2,5" SQUARE LOUDSPEAKERS REF. 156x8 - 156x9



8 ohms Loudspeakers technical specifications:

156x8	MIN	NORMAL	MAX		COMMENTS
Speaker type		2,5		inches	Full range
Measurements		88x88x36		mm	
Power		3	5	W	
SPL		86		dB	
Frequency response	170		12000	Hz	
Impedance		8		Ohms	
Cut-out diameter		76		mm	

16 ohms Loudspeakers technical specifications:

156x9	MIN	NORMAL	MAX		COMMENTS
Speaker type		2,5		inches	Full range
Measurements		88x88x36		mm	
Power		3	5	W	
SPL		86		dB	
Frequency response	170		12000	Hz	
Impedance		16		Ohms	
Cut-out diameter		76		mm	