

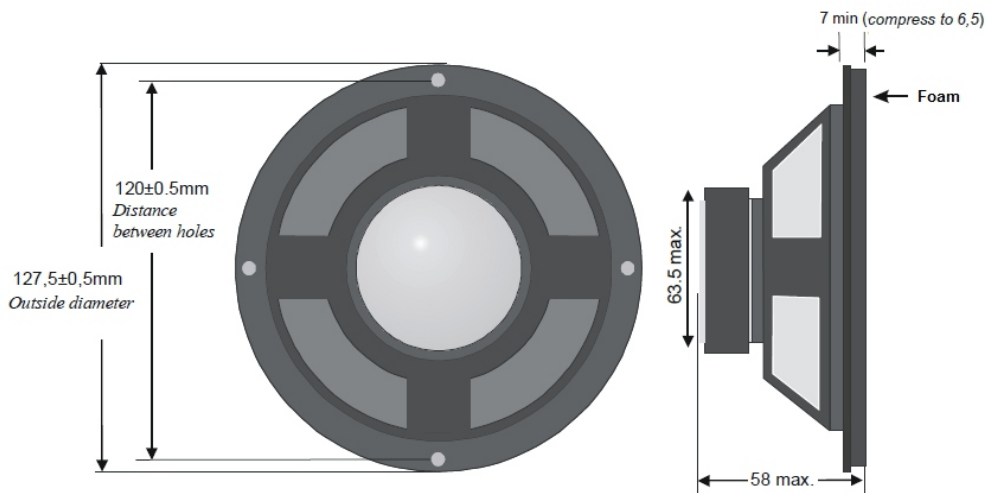
## 5" CEILING LOUDSPEAKERS REF. 152x2-152x3-15602



Ref. 152x2-152x3 (only speaker)



Ref. 15602 (speaker + round frame)



8 ohms Loudspeakers technical specifications:

152x2	MIN	NORMAL	MAX		COMMENTS
Speaker type		5		inches	Full range
Measurements		182x60		mm	
Power		3	6	W	
SPL		84		dB	
Frequency response	90		15.000	Hz	
Impedance		8		Ohms	
Cut-out diameter		150		mm	

16 ohms Loudspeakers technical specifications:

152x3	MIN	NORMAL	MAX		COMMENTS
Speaker type		5		inches	Full range
Measurements		182x60		mm	
Power		3	6	W	
SPL		84		dB	
Frequency response	90		15.000	Hz	
Impedance		16		Ohms	
Cut-out diameter		150		mm	